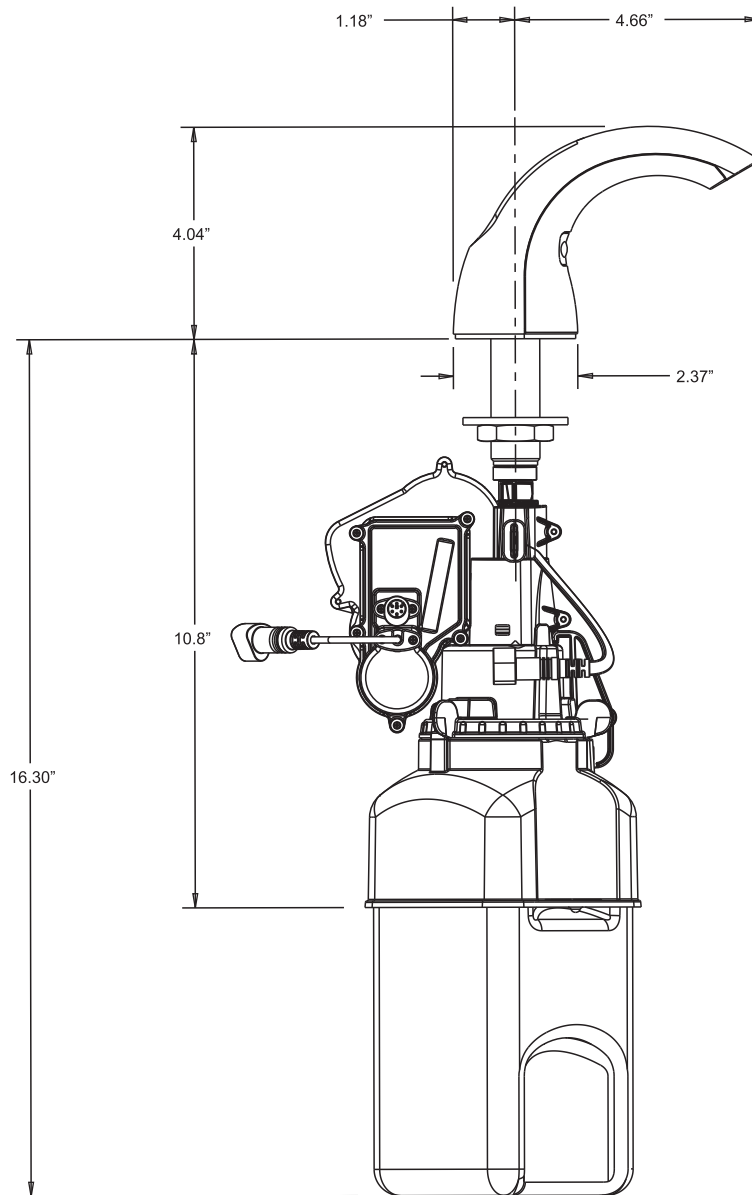


# PURELL® CXT™ TOUCH FREE COUNTER MOUNT DISPENSER DIMENSIONS

8540-01

Use the dimensions provided to ensure proper fit and placement of your counter mount dispenser and energy options.



Side View



GOJO Industries, Inc.  
One GOJO Plaza, Suite 500  
P.O. Box 991 • Akron, OH 44309-0991  
Tel: 1-330-255-6000 • Toll-free: 1-800-321-9647  
Fax: 1-800-FAX-GOJO

©2018. GOJO Industries, Inc. All rights reserved.

#26386